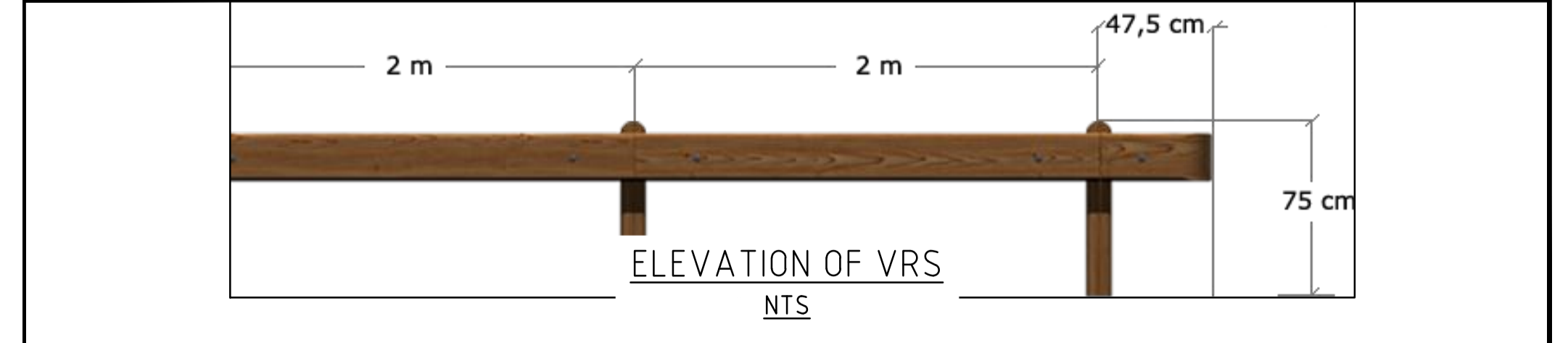
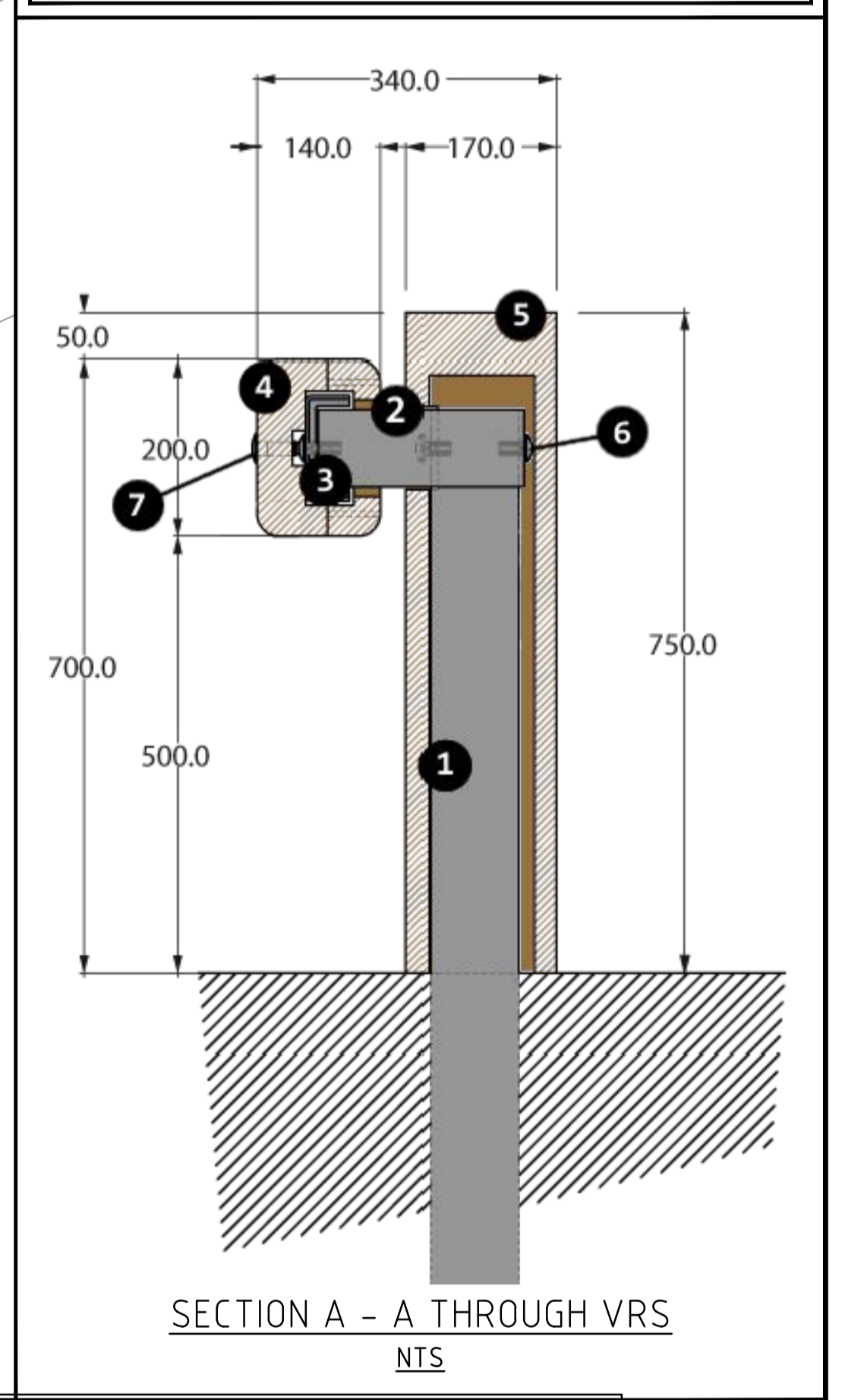


KEY:

- TAKE UP EXISTING KERB LINE AND REMOVE TO TIP OFF SITE. LENGTH 190m
- - - EXISTING ROAD MARKINGS TO BE REMOVED
- INSTALL NEW KERB LINE. LENGTH: 200m
- / / / PROPOSED ROAD MARKINGS TO BE INSTALLED IN ACCORDANCE WITH T.S.R.G.D. 2016
- HB2 INSTALL NEW HB2 KERBS
- INSTALL NEW GULLEY WITH CONNECTION PIPE TO EXISTING GULLEY. EXISTING GULLEY TO BE REPLACED WITH INSPECTION COVER.
- ▨ NEW FOOTWAY CONSTRUCTION OVER EXISTING CARRIAGEWAY. AREA: 120m²
- PROPOSED CINDEO TIMBER/STEEL VRS
- EXISTING ROAD MARKINGS TO REMAIN
- - - PROPOSED LV DUCTING
- PROPOSED LIGHTING COLUMN
- ▨ PROPOSED VEGETATION CLEARANCE
- ▨ EXISTING GULLEY



Notes

| Rev. | Description |
|------|-------------|
| | |
| | |
| | |
| | |
| | |
| | |
| | |
| | |
| | |
| | |

| Drwn | Sig. | Date | Chkd | Sig. | Date | Appr | Sig. | Date | North Point |
|------|------|------|------|------|------|------|------|------|-------------|
| | | | | | | | | | |
| | | | | | | | | | |
| | | | | | | | | | |
| | | | | | | | | | |
| | | | | | | | | | |
| | | | | | | | | | |
| | | | | | | | | | |
| | | | | | | | | | |
| | | | | | | | | | |
| | | | | | | | | | |

Scale AS SHOWN

Based upon the Ordnance Survey mapping with the permission of the Controller of Her Majesty's Stationery Office © Crown copyright. Unauthorised reproduction infringes Crown copyright and may lead to prosecution or civil proceedings.
Surrey County Council LA 078872 2002.

| | | | | | |
|-------------|----|------|----|------|--------|
| Drawn by | TC | Sig. | TC | Date | AUG 17 |
| Checked by | SP | Sig. | SP | Date | AUG 17 |
| Approved by | JD | Sig. | JD | Date | AUG 17 |

Project
A217 REIGATE TO HORLEY (WHOLE ROUTE STUDY)
SITE No. 8 - A217 DOVERS GREEN ROAD, SIDLOW

Drawing
SITE CLEARANCE & GENERAL ARRANGEMENT

SHEET 1 OF 2

Project No.
SP0028

Contract Sheet No.
08-001

Rev.
-

Classification
DRAFT

SURREY COUNTY COUNCIL
Surrey Highway Transport for Surrey

ITEM 11

This page is intentionally left blank